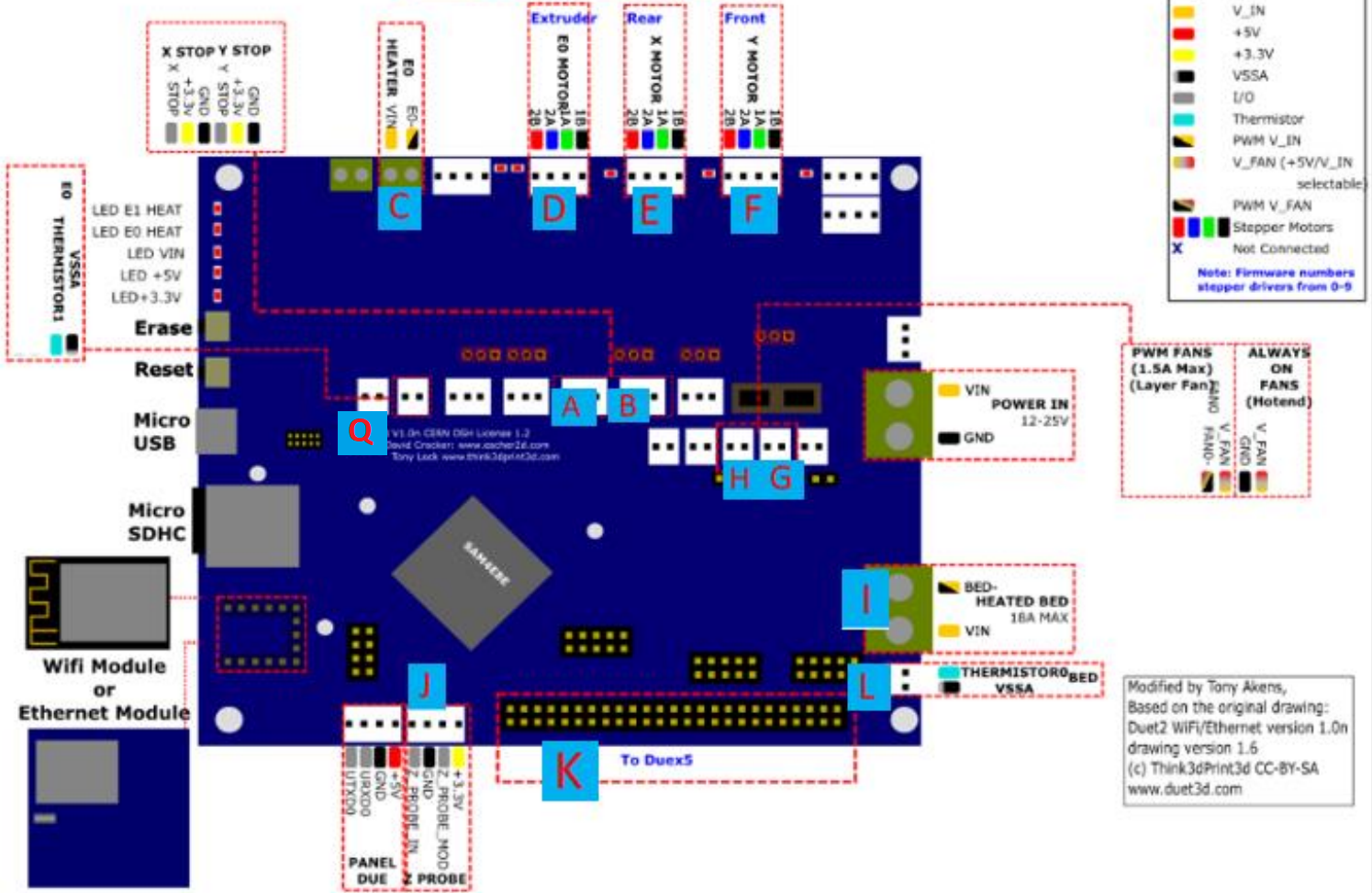


Railcore II wiring diagram

Duet Wifi / Duet Ethernet Connections

v1.0,v1.01,v1.02,v1.03

WARNING, REMOVE POWER BEFORE PLUGGING OR UNPLUGGING STEPPER MOTORS



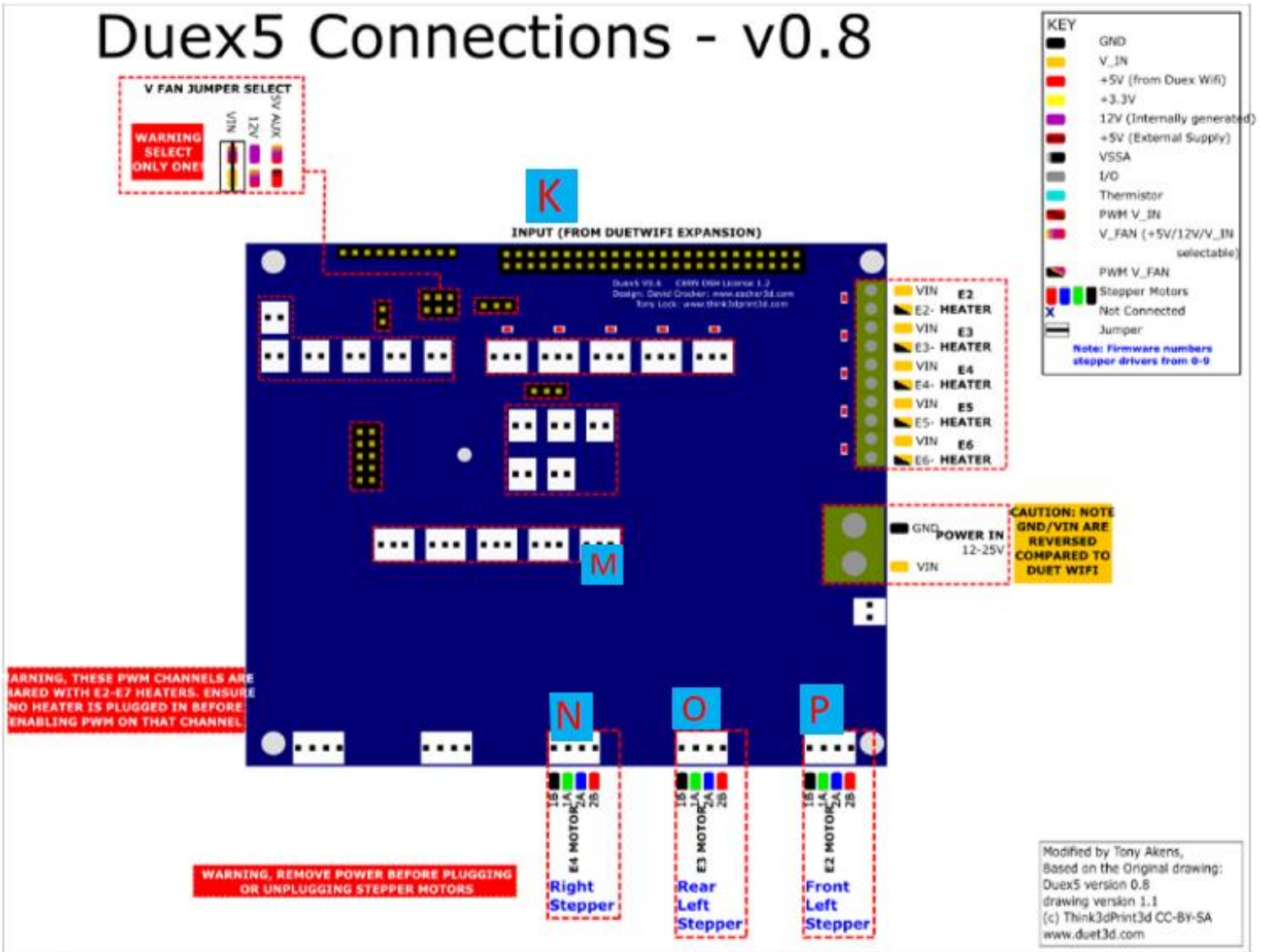
- A** A-Connect X-Stop here
- B** B-Connect Y-Stop here
- C** C-Connect HotEnd Heater here
- D** D-Connect Extruder motor here
- E** E-Connect Right Side Rear (X) motor here

- F** F-Connect Right Side Front (Y) motor here
- G** G-Connect Hotend FAN here
- H** H-Connect HotEnd Blower FAN here
- I** I-Connect Heated Bed here

- J** J-Connect Bltouch two wire leads here (note polarity) Use left most pins
- K** K-Connect Duet5 ribbon cable here.. Tuck under/in between boards.
- L** L-Connect Bed Thermister here
- Q** Q -Hotend (E0) Thermister here

V3.0 Updated by Steven London
June 26st 2019

Duex5 Connections - v0.8



K K-Connect Duex5 ribbon cable here.. Tuck under/in between boards.

M Three wire cable from Bltouch (brown on right side)

N Z-Stepper motor (right side motor)

O Z-Stepper motor (Rear left motor)

P Z-Stepper motor (Front left motor)

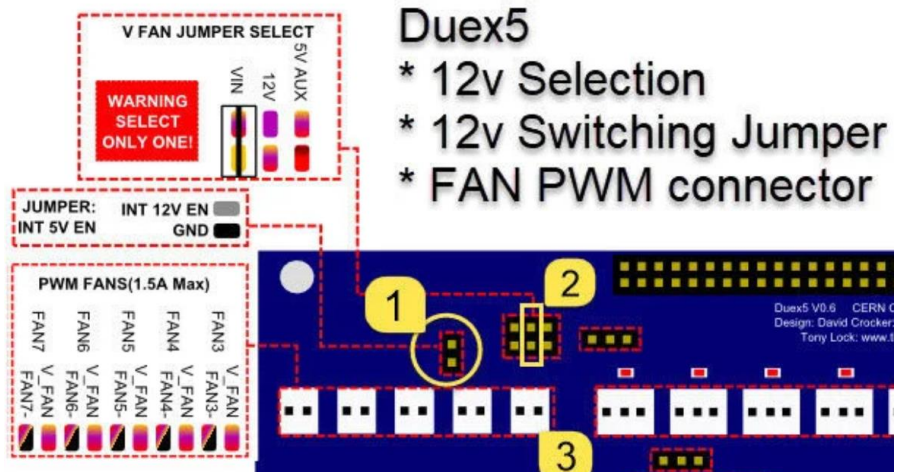
To enable 12v ports for use with 12v FANS, LED's:

12v-1

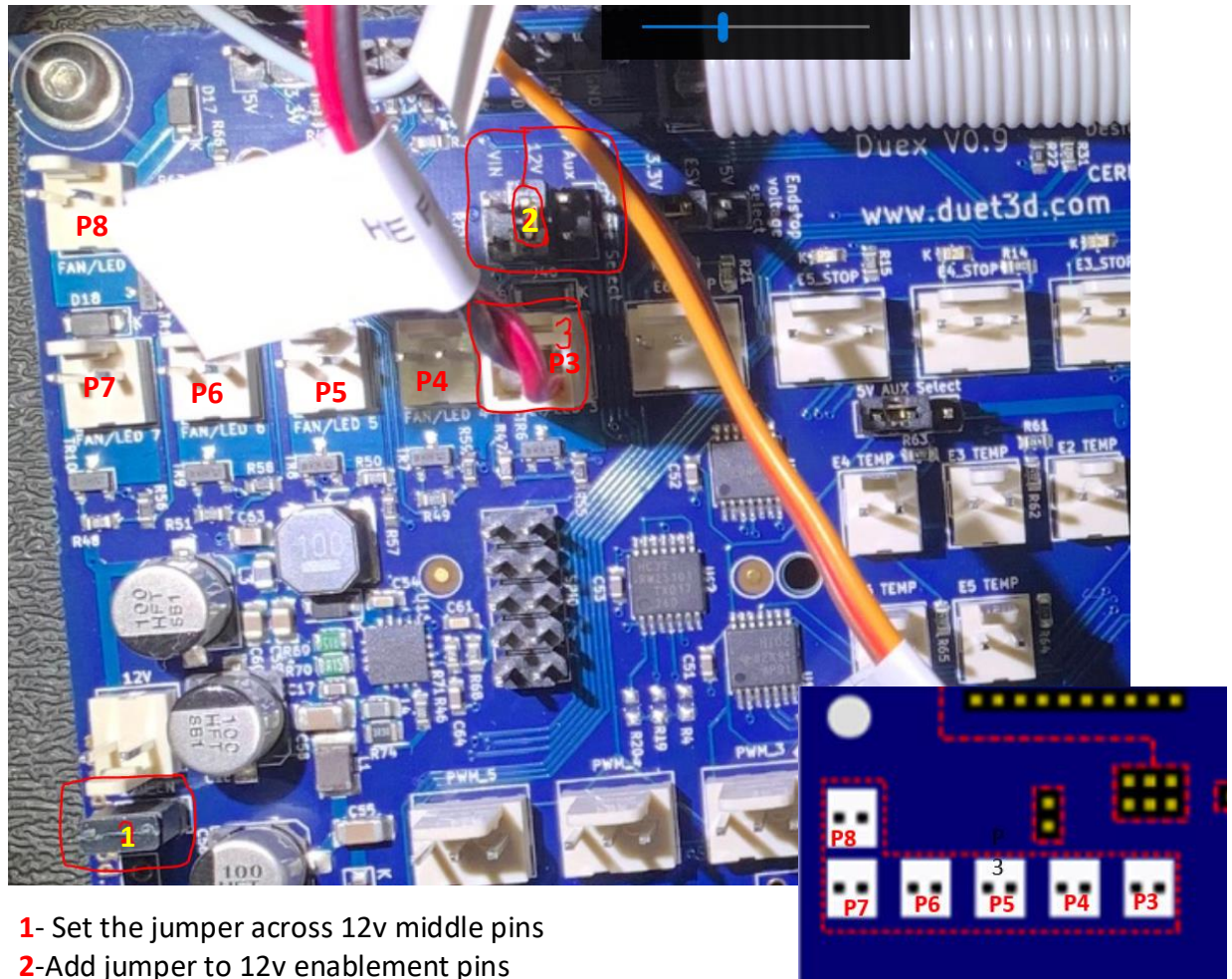
12v-2

12v-3

Note: on the 0.9 version of Duet5, the 12v switch #1 may be on the left side further down the board. See next page for detailed picture and G-code command.



12v power steps needed for FANS and LED's



- 1- Set the jumper across 12v middle pins
 - 2-Add jumper to 12v enablement pins
 - 3-Plug in your FAN/LED and make note of the port number stenciled on the board.
- Available ports are **P3, P4, P5, P6, P7 & P8**. Adjust your M106 command according to the port you use.

You will need to supply the jumper for #2 in the above version of the board as there is no extra one provided.

Once the 12v pins have been enabled, use this Gcode:

M106 Px Sy Where x is the port number and y is a value 1-255. Some fans may need 255 to be Full ON. Use S0 to turn off. Some Fans and some LED's may tolerate less than full (1-255) Diming of LED's and less FAN power is definitely a 'Your Mileage May Vary'. Example g-code:

```
M106 P3 S255 ; turn port 3 full on.
```

```
M106 P3 S0 ; turn port 3 off.
```

; note: Using values between 0 and 255 may not necessarily work for your 12v item. Some items don't like partial voltage. Most LED's do respond well to partial power.