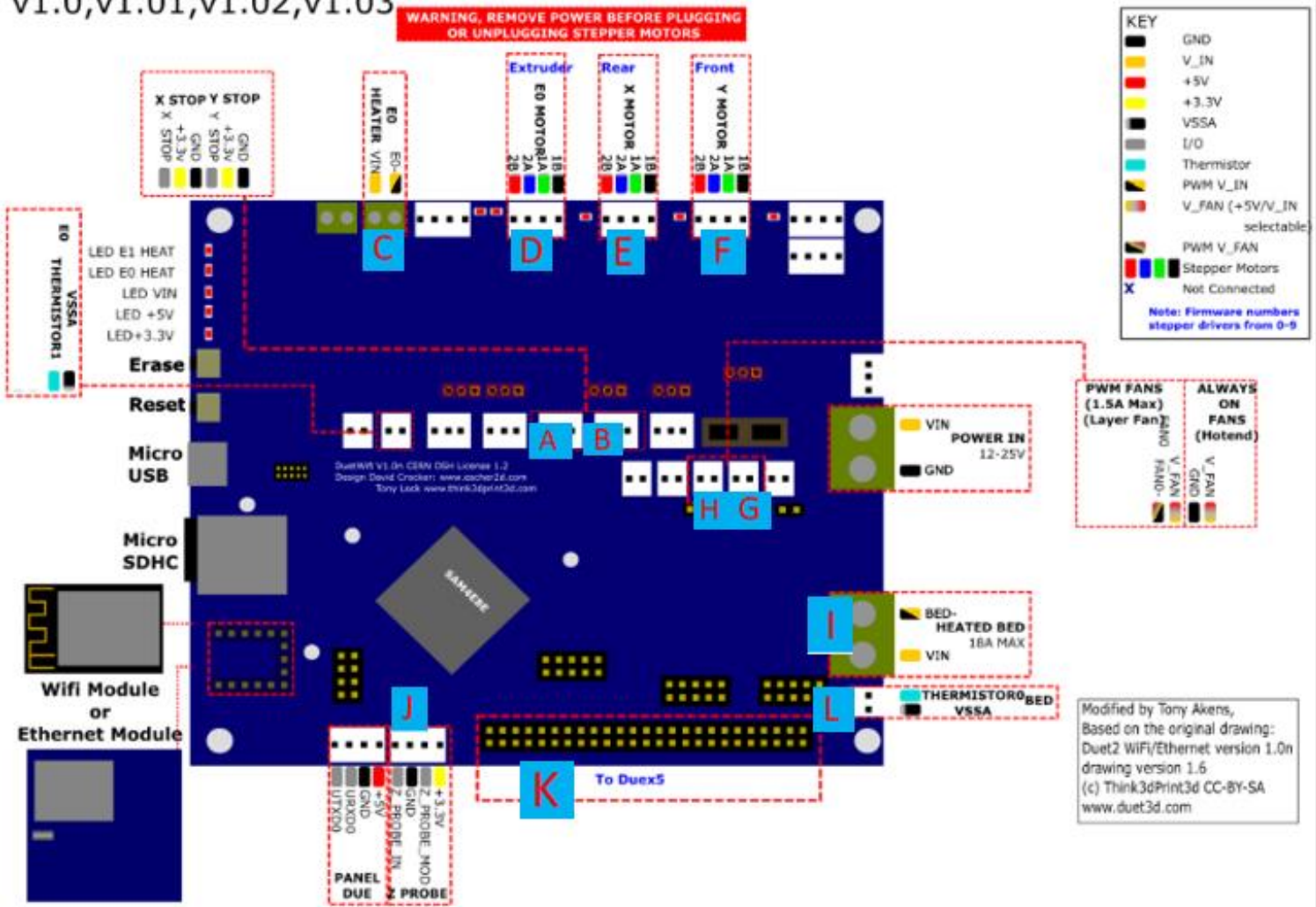


# Railcore II wiring diagram

## Duet Wifi / Duet Ethernet Connections

v1.0,v1.01,v1.02,v1.03

WARNING, REMOVE POWER BEFORE PLUGGING OR UNPLUGGING STEPPER MOTORS



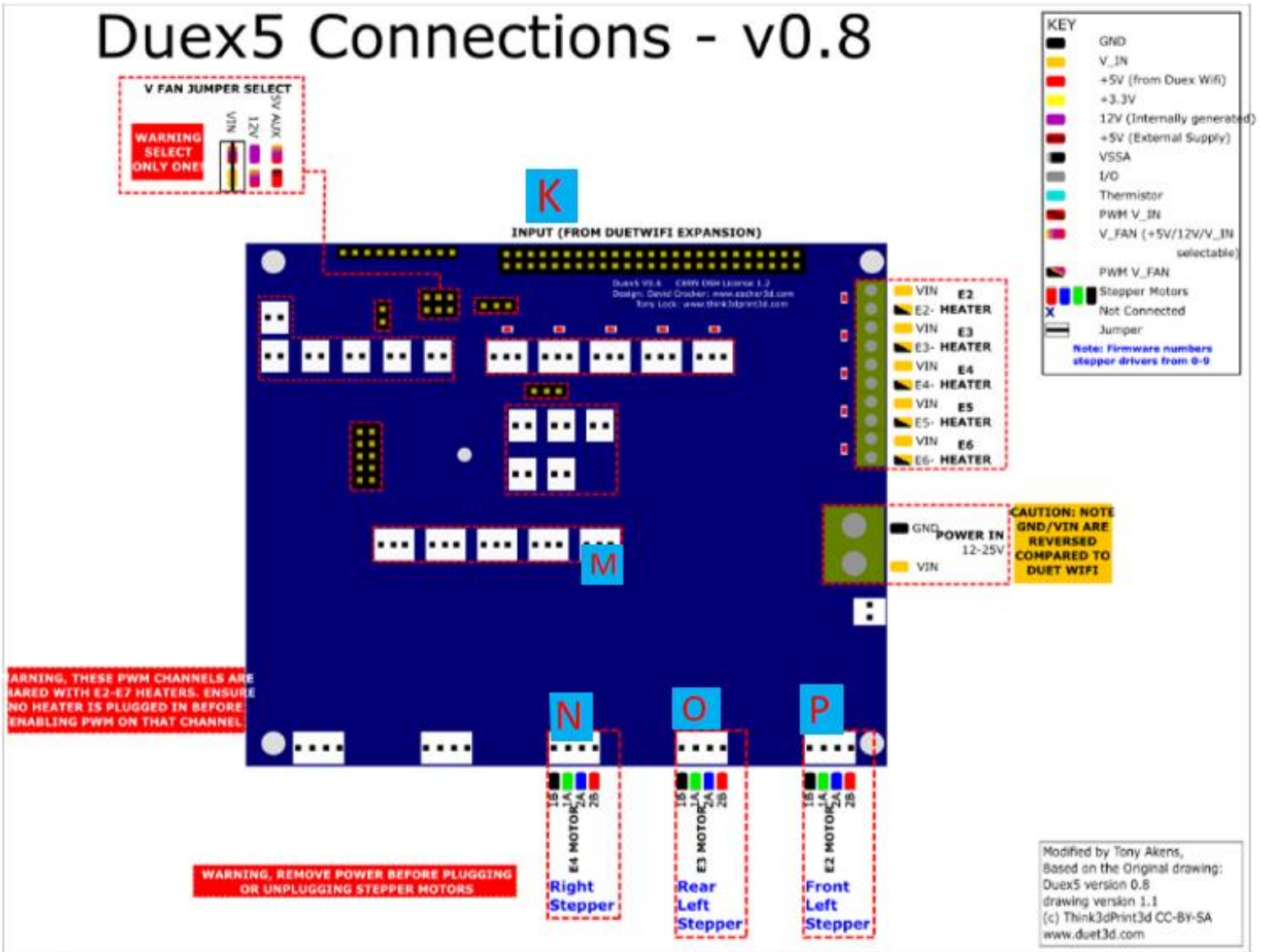
- A** A-Connect X-Stop here
- B** B-Connect Y-Stop here
- C** C-Connect Bed Heater here
- D** D-Connect Extruder motor here
- E** E-Connect Rear (X) motor here

- F** F-Connect Front (Y) motor here
- G** G-Connect Hotend FAN here
- H** H-Connect HotEnd Blower FAN here
- I** I-Connect Heater Bed here

- J** J-Connect Bltouch two wire leads here (note polarity) Use left most pins
- K** K-Connect Duet5 ribbon cable here.. Tuck under/in between boards.
- L** L-Connect hotend Thermistor here

Updated by Steven London  
April 5<sup>th</sup> 2019

# Duex5 Connections - v0.8



**K** K-Connect Duex5 ribbon cable here.. Tuck under/in between boards.

**M** Three wire cable from Bltouch (brown on right side)

**N** Z-Stepper motor (right side motor)

**O** Z-Stepper motor (Rear left motor)

**P** Z-Stepper motor (Front left motor)

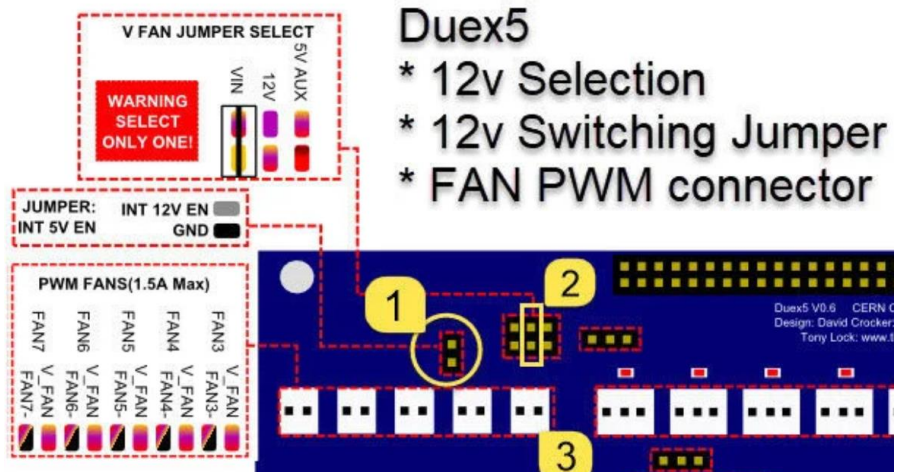
To enable 12v ports for use with 12v FANS, LED's:

12v-1

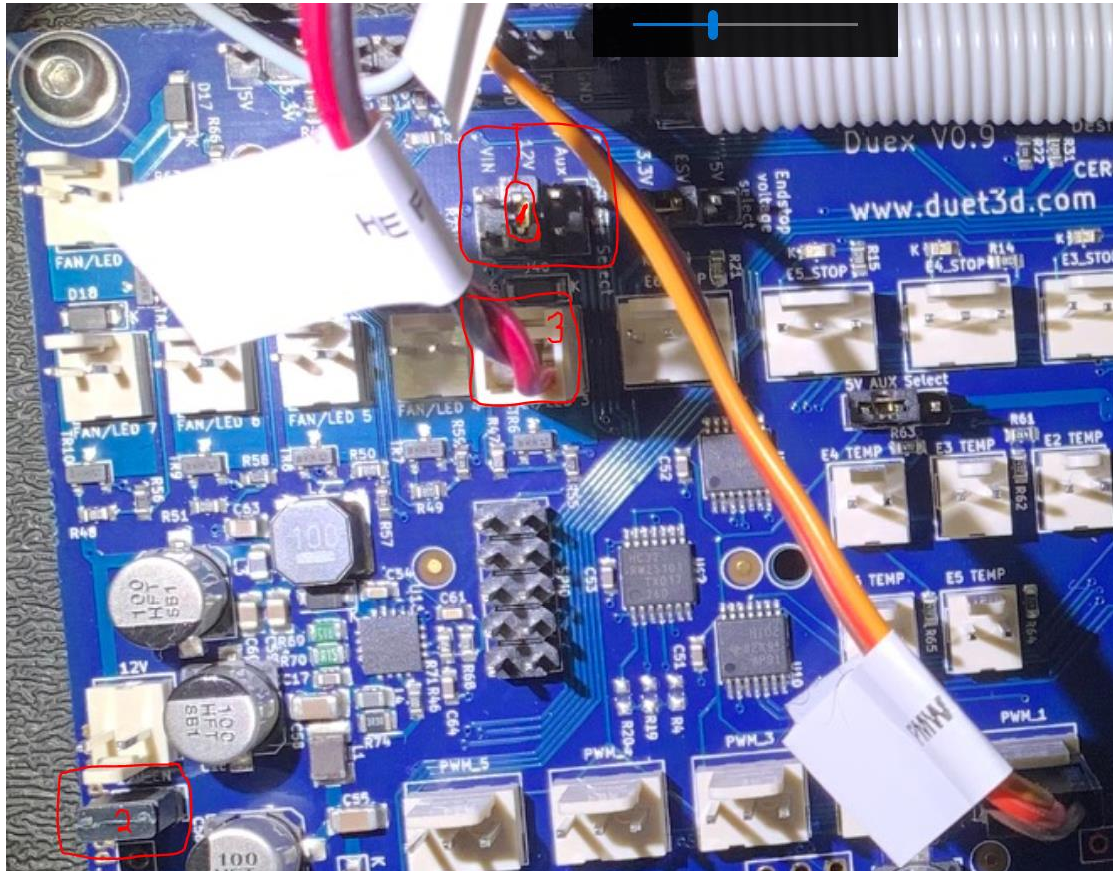
12v-2

12v-3

Note: on the 0.9 version of Duet5, the 12v switch #1 may be on the left side further down the board. See next page for detailed picture and G-code command.



## 12v power steps needed for FANS and LED's



- 1- Set the jumper across 12v middle pins
- 2-Add jumper to 12v enablement pins
- 3-Plug in your FAN/LED and make note of the port number stenciled on the board.

You will need to supply the jumper for #2 in the above version of the board as there is no extra one provided.

Once the 12v pins have been enabled, use this Gcode:

**M107 Px Sy** Where x is the port number and y is a value 1-255. Some fans may need 255 to be Full ON. Use S0 to turn off. Some Fans and some LED's may tolerate less than full (1-255) Diming of LED's and less FAN power is definitely a 'Your Mileage May Vary'. Example g-code:

```
M106 P3 S255 ; turn port 3 full.  
M106 P3 S0 ; turn port 3 off.
```